

THIS DRAWING IS UNPUBLISHED.

RELEASED FOR PUBLICATION

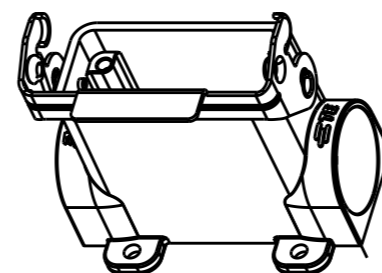
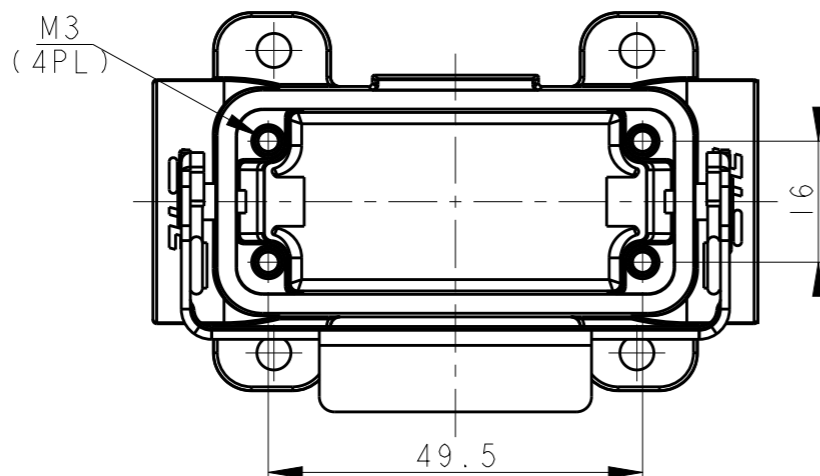
20

© COPYRIGHT 20 BY -

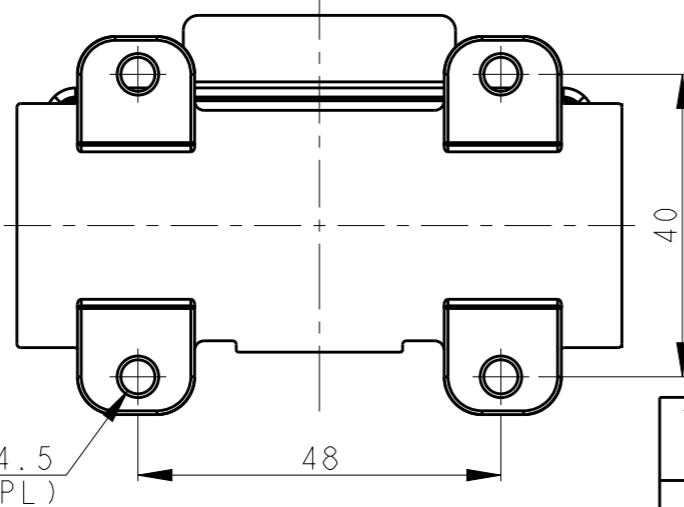
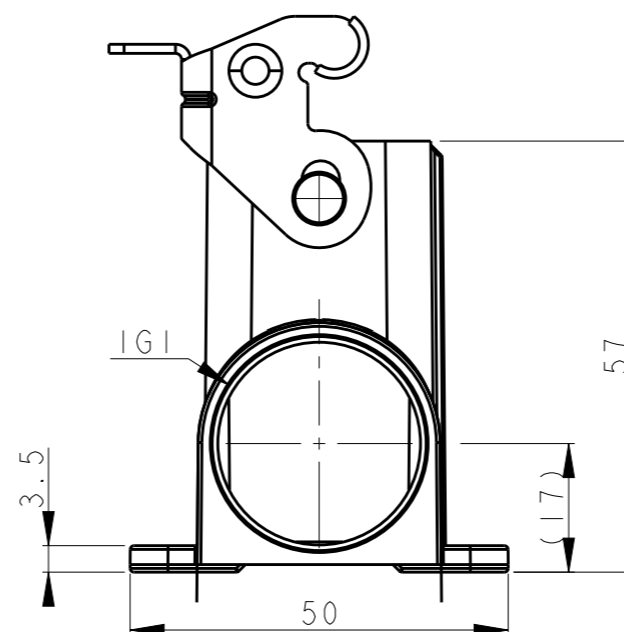
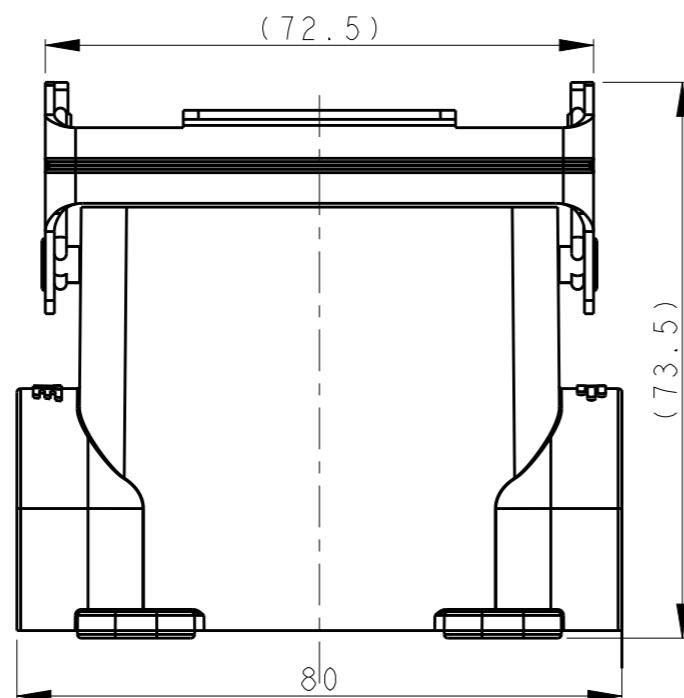
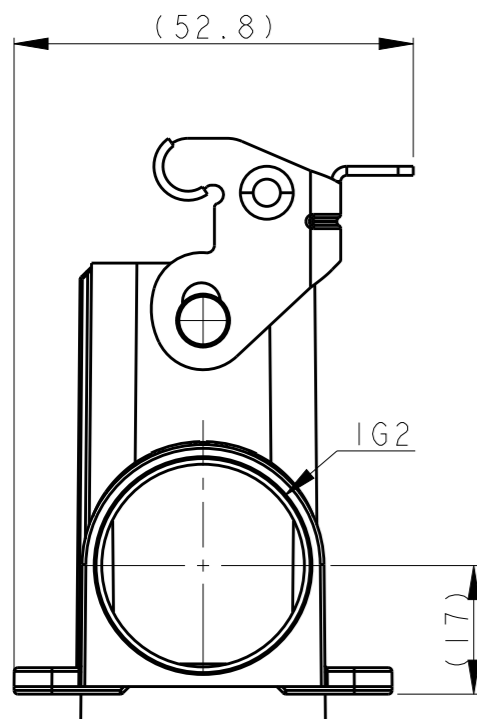
ALL RIGHTS RESERVED.

REVISIONS

P	LTR	DESCRIPTION	DATE	DWN	APVD
	A	INITIAL RELEASE	24APR2015	DL	CW



SCALE 1:2



NOTES:

- 1. TECHNICAL CHARACTERISTICS:
 BODY MATERIAL: DIE CAST ALUMINIUM ALLOY
 SURFACE TREATMENT: POWDER-COATED, GRAY
 OPERATION TEMPERATURE: -40-+125°C
 DEGREE OF PROTECTION: IP65 (MATED)

注释:

- 1. 技术参数:
 主体材料: 铝合金
 表面处理: 粉末喷涂, 灰色
 工作温度: -40-+125°C
 防护等级: IP65(配合)

T1619100116-000	H10A-SGR-PG16	PG16	-
T1619100120-000	H10A-SGR-M20	M20	-
T1619100121-000	H10A-SGR-PG21	PG21	-
T1619100125-000	H10A-SGR-M25	M25	-
T1619100216-000	H10A-SGR-2PG16	PG16	PG16
T1619100220-000	H10A-SGR-2M20	M20	M20
T1619100221-000	H10A-SGR-2PG21	PG21	PG21
T1619100225-000	H10A-SGR-2M25	M25	M25
T1619102520-000	H10A-SGR-M25/M20	M25	M20
ASSEMBLY PART NUMBER	ASSEMBLY PART DESCRIPTION	IG1	IG2

THIS DRAWING IS A CONTROLLED DOCUMENT.

DIMENSIONS:	TOLERANCES UNLESS OTHERWISE SPECIFIED:
mm	
	0 PLC ±-
	1 PLC ±-
	2 PLC ±-
	3 PLC ±-
	4 PLC ±-
	ANGLES ±-
MATERIAL	FINISH
-	-
-	-

DWN	24APR2015
DAVID LI	
CHK	24APR2015
CHRIS WANG	
APVD	24APR2015
XU XIANG	
PRODUCT SPEC	108-137010
APPLICATION SPEC	114-137010
WEIGHT	-
CUSTOMER DRAWING	



NAME H10A-SGR-PG/M			
SIZE	CAGE CODE	DRAWING NO	RESTRICTED TO
A3	-	©-T1619100XXX000	-
SCALE 1:1		SHEET 1 OF 1	REV A