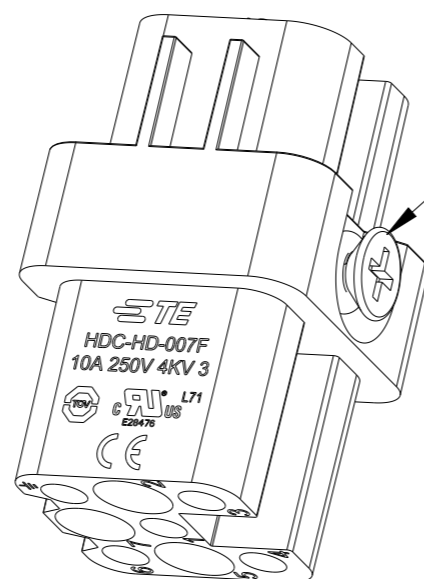
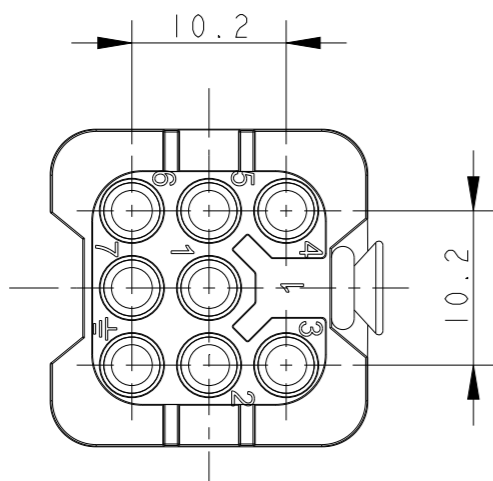


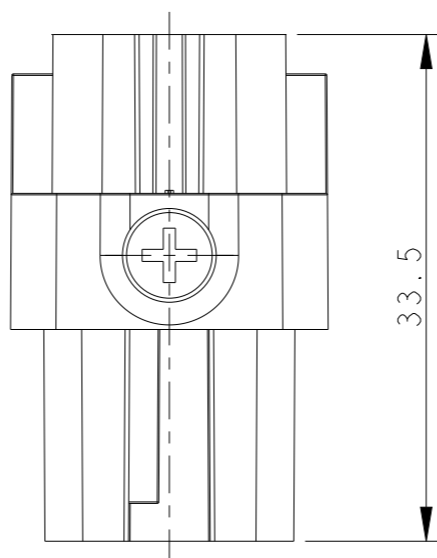
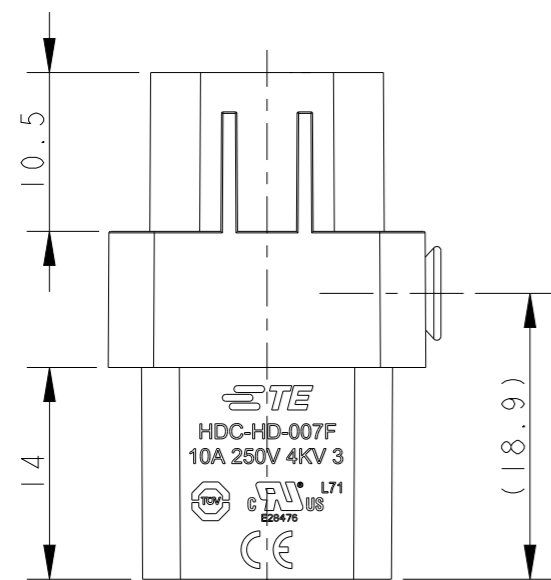
REVISIONS

P	LTR	DESCRIPTION	DATE	DWN	APVD
A		INITIAL RELEASE	16DEC2014	HMR	CW
B		ECR-15-013292	16SEP2015	DL	CW
BI		ECR-16-015492	04NOV2016	QY	CW
C		ECR-21-105750	02JUL2021	BS	CW



M3 SCREW  
RECOMMENDED TIGHTENING TORQUE 0.5Nm  
M3 螺丝, 推荐锁紧力矩0.5Nm

TYPE-1, T2020072201-000, TE LOGO  
类型-1, T2020072201-000, TE LOGO

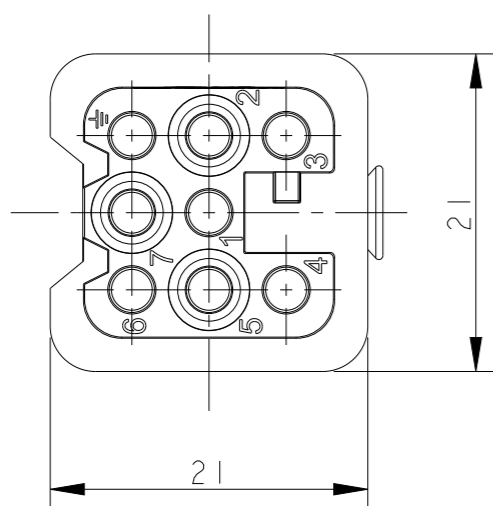



NOTES:

- TECHNICAL CHARACTERISTICS:  
INSULATION MATERIAL: PBT  
RATED VOLTAGE: 250 V  
RATED CURRENT: 10 A  
INSULATION RESISTANCE:  $\geq 400M\Omega$   
RATED IMPULSE VOLTAGE: 4 KV  
POLLUTION DEGREE: 3  
FLAMMABILITY: UL94V-0  
MATING CYCLES: 500 CYLCES  
WIRE RANGE: 0.14-2.5 mm<sup>2</sup> (26-14 AWG)  
CONTACT TYPE: CRIMP CONTACT
- CONTACT NEED TO BE ORDERED SEPARATELY.  
(ORDER No. REFER TO DRAWING: T20200X20XX000)

注释:

- 技术参数:  
绝缘材料: PBT  
额定电压: 250V  
额定电流: 10A  
绝缘电阻:  $\geq 400M\Omega$   
额定脉冲电压: 4 KV  
污染等级: 3  
阻燃等级: UL94V-0  
插拔次数: 500次  
接线范围: 0.14-2.5 mm<sup>2</sup> (26-14 AWG)  
接线类型: 冷压接
- 端子需要单独订购.  
(订货号参考图面: T20200X20XX000)



THIS DRAWING IS A CONTROLLED DOCUMENT.		DWN 16DEC2014 RAGHAVENDRA H M	 TE Connectivity	
DIMENSIONS: mm		CHK 16DEC2014 CHRIS WANG		
TOLERANCES UNLESS OTHERWISE SPECIFIED:		APVD 16DEC2014 XU XIANG	NAME HD-007-F	
0 PLC ±-		PRODUCT SPEC 108-137042	SIZE	
1 PLC ±-		APPLICATION SPEC 114-137042	CAGE CODE	
2 PLC ±-		WEIGHT	DRAWING NO	
3 PLC ±-		CUSTOMER DRAWING	RESTRICTED TO	
4 PLC ±-			SCALE 2:1	
ANGLES ±-			SHEET 1 OF 2	
FINISH			REV C	
-			C-T2020072201000	
-				

4

3

2

1

THIS DRAWING IS UNPUBLISHED.

RELEASED FOR PUBLICATION

20

REVISIONS

© COPYRIGHT 20 BY -

ALL RIGHTS RESERVED.

P	LTR	DESCRIPTION	DATE	DWN	APVD
-		SEE SHEET 1	-	-	-

NOTE:  
SEE SHEET 1  
注释:  
见页 1

TYPE-2, T2020072201-001, STAINLESS STEEL SCREW, NO LOGO  
类型-2, T2020072201-001, 不锈钢螺丝, 无LOGO

T2020072201-001	HD-007-F	HD-007 FEMALE INSERT, STAINLESS STEEL SCREW, NO LOGO HD-007 母插, 不锈钢螺丝, 无LOGO	TYPE-2 类型-2
T2020072201-000	HD-007-F	HD-007 FEMALE INSERT HD-007 母插	TYPE-1 类型-1
PART NUMBER 料号	PART DESCRIPTION 描述		TYPE 类型

THIS DRAWING IS A CONTROLLED DOCUMENT.

DIMENSIONS:  
mm

TOLERANCES UNLESS OTHERWISE SPECIFIED:

0 PLC	±-
1 PLC	±-
2 PLC	±-
3 PLC	±-
4 PLC	±-
ANGLES	±-

MATERIAL

FINISH

DWN 16DEC2014

RAGHAVENDRA H M

CHK 16DEC2014

CHRIS WANG

APVD 16DEC2014

XU XIANG

PRODUCT SPEC

108-137042

APPLICATION SPEC

114-137042

WEIGHT

-

CUSTOMER DRAWING

NAME

HD-007-F

SIZE

A3

CAGE CODE

-

DRAWING NO

©-T2020072201000

RESTRICTED TO

C

ALL DIMENSIONS ARE SAME AS TYPE 1,  
EXCEPT THOSE DEFINED IN THIS TYPE.  
除了在本类型中定义的尺寸外, 其它尺寸同类型 1

1470-19 (3/13)