

REVISIONS

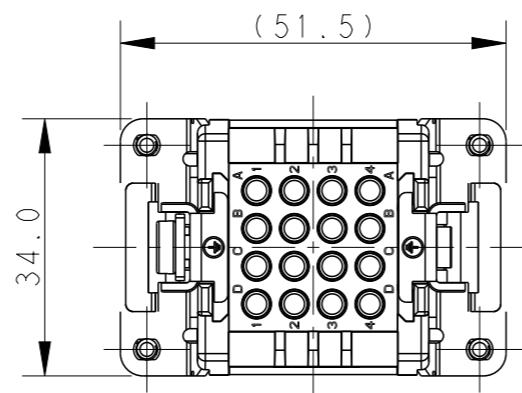
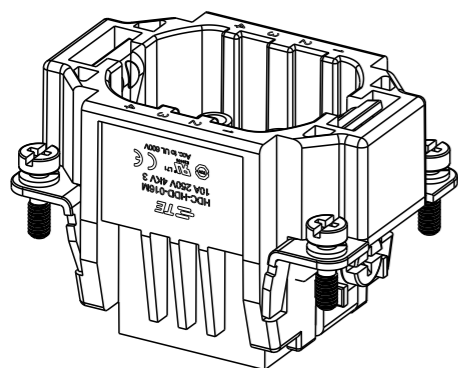
P	LTR	DESCRIPTION	DATE	DWN	APVD
	A	INITIAL	04JAN2016	RL	CW
	B	ECR-21-105887	26JUL2021	BS	CW
	C	ECR-22-150866	21SEP2022	DL	CW

NOTES:

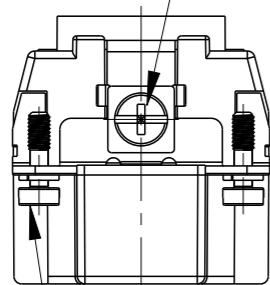
- TECHNICAL CHARACTERISTICS:
 INSULATION MATERIAL: PC
 RATED VOLTAGE: 250 V
 RATED CURRENT: 10 A
 INSULATION RESISTANCE: $\geq 400M\Omega$
 RATED IMPULSE VOLTAGE: 4 KV
 POLLUTION DEGREE: 3
 FLAMMABILITY: UL94V-0
 MATING CYCLES: 500 CYCLES
 OPERATION TEMPERATURE: $-40-+125^{\circ}C$
 WIRE RANGE: 0.14-2.5 mm² (26-14 AWG)
 CONTACT TYPE: CRIMP CONTACT
- CONTACT NEED TO BE ORDERED SEPARATELY.
 (ORDER No. REFER TO DRAWING: T20200X20XX000)

注释:

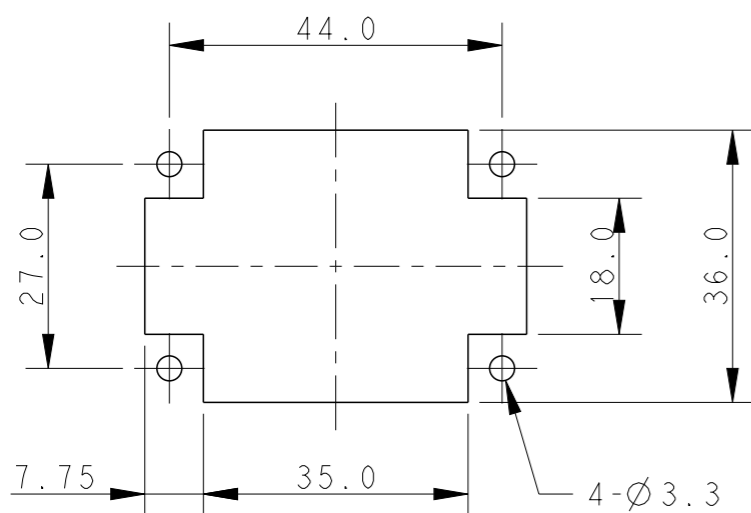
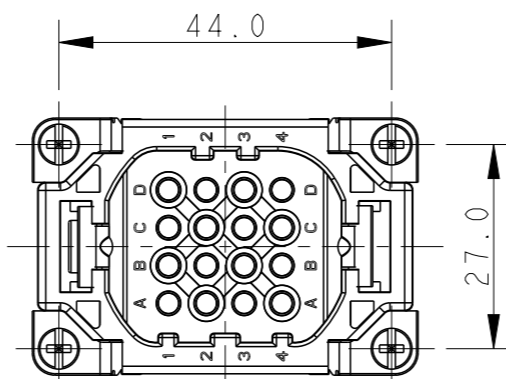
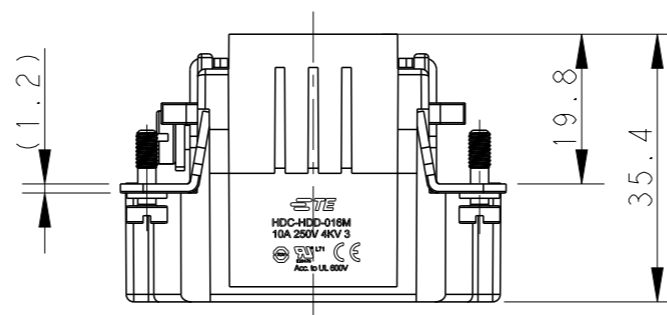
- 技术参数:
 绝缘材料: PC
 额定电压: 250V
 额定电流: 10A
 绝缘电阻: $\geq 400M\Omega$
 额定脉冲电压: 4 KV
 污染等级: 3
 阻燃等级: UL94V-0
 插拔次数: 500次
 工作温度: $-40-+125^{\circ}C$
 接线范围: 0.14-2.5 mm² (26-14 AWG)
 接线类型: 冷压接
- 端子需要单独订购。
 (订货号参考图面: T20200X20XX000)



GROUND CONTACT SCREW:
 M4 SCREW RECOMMENDED
 TIGHTENING TORQUE 1.2Nm
 接地压线螺丝: M4螺丝推荐拧紧力矩 1.2Nm



FIXING SCREW: 4xM3
 RECOMMENDED TIGHTENING
 TORQUE 0.5Nm
 固定螺丝: 4xM3螺丝推荐拧紧力矩 0.5Nm



PANEL CUT OUT FOR INSERTS FOR USING
 WITHOUT HOODS/HOUSINGS
 不带壳体时面板开孔尺寸

THIS DRAWING IS A CONTROLLED DOCUMENT.

DIMENSIONS:	TOLERANCES UNLESS OTHERWISE SPECIFIED:
mm	
	0 PLC ±-
	1 PLC ±-
	2 PLC ±-
	3 PLC ±-
	4 PLC ±-
	ANGLES ±-
MATERIAL	FINISH
-	-

DWN	ROY LIU	04JAN2016
CHK	KYLE ZENG	04JAN2016
APVD	CHRIS WANG	04JAN2016
PRODUCT SPEC	108-137043	
APPLICATION SPEC	114-137043	
WEIGHT	-	
CUSTOMER DRAWING		

T2030162101-000		HDD-016-M HDD-016 公插	
PART NUMBER 料号		PART DESCRIPTION 描述	
STE TE Connectivity			
NAME: HDD-016-M			
SIZE	CAGE CODE	DRAWING NO	RESTRICTED TO
A3	00779	©-T2030162101000	
SCALE 1:1		SHEET 1 OF 1	REV C