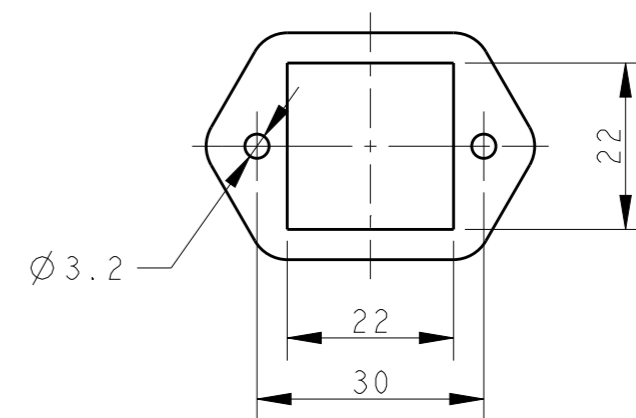
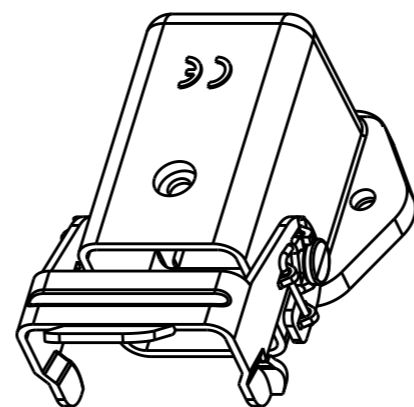
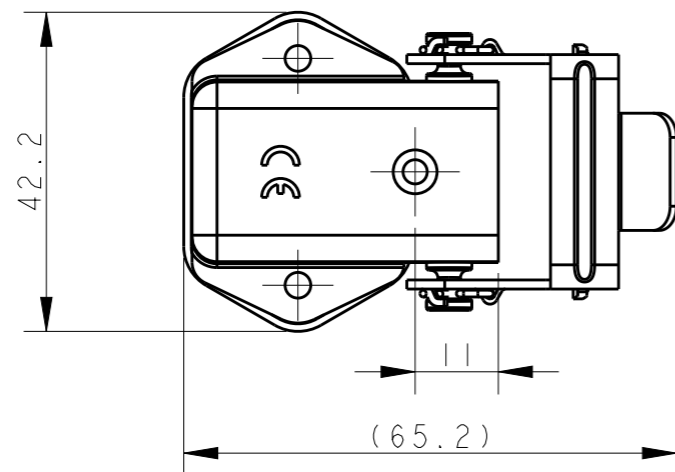
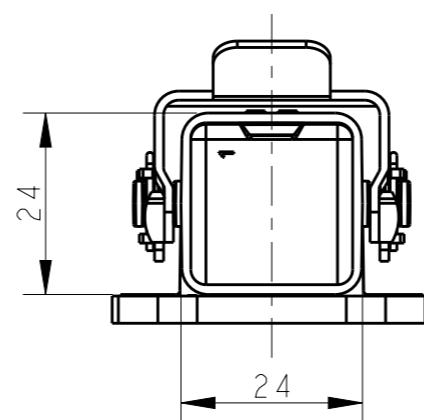
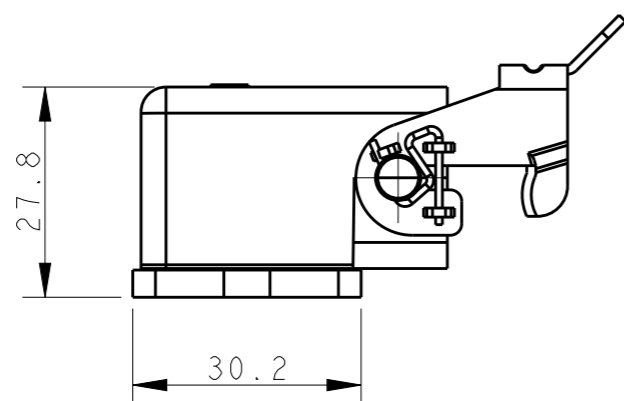
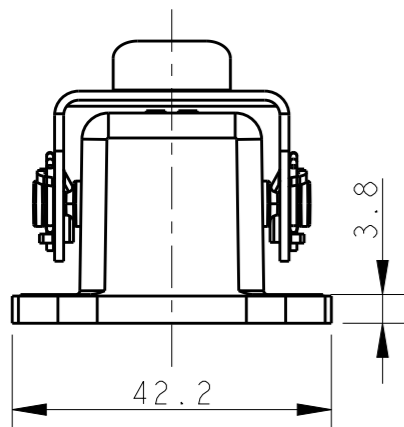


REVISIONS

P	LTR	DESCRIPTION	DATE	DWN	APVD
A		INITIAL RELEASE	04MAY2015	DL	CW
B		ECR-20-007782	24NOV2020	BS	CW



PANNEL CUT OUT

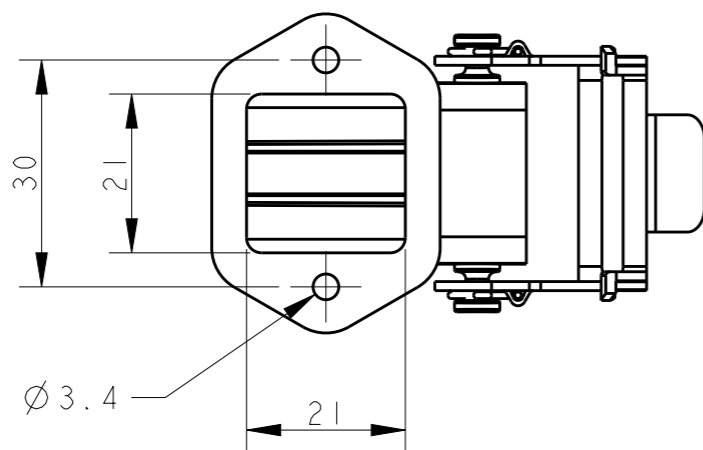


NOTES:

- 1. TECHNICAL CHARACTERISTICS:
 BODY MATERIAL: DIE CAST ZINC ALLOY
 SURFACE TREATMENT: POWDER-COATED, GRAY
 DEGREE OF PROTECTION: IP65 (MATED)

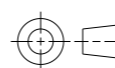
注释:

- 1. 技术参数:
 主体材料: 锌合金
 表面处理: 粉末喷涂, 灰色
 防护等级: IP65(配合)



THIS DRAWING IS A CONTROLLED DOCUMENT.

DIMENSIONS:
mm



TOLERANCES UNLESS OTHERWISE SPECIFIED:

0 PLC	±-
1 PLC	±-
2 PLC	±-
3 PLC	±-
4 PLC	±-
ANGLES	±-

MATERIAL
-

FINISH
-

DWN 04MAY2015

DAVID LI

CHK 04MAY2015

CHRIS WANG

APVD 04MAY2015

XU XIANG

PRODUCT SPEC

108-137012

APPLICATION SPEC

114-137012

WEIGHT -

04MAY2015

NAME
H3A-MAGS

SIZE	CAGE CODE	DRAWING NO	RESTRICTED TO
------	-----------	------------	---------------

A3	-	©-T1549030000000	-
----	---	------------------	---

Customer Drawing	SCALE 1:1	SHEET 1 OF 1	REV B
------------------	-----------	--------------	-------

T1549030000-000	H3A-MAGS
ASSEMBLY PART NUMBER	ASSEMBLY PART DESCRIPTION

