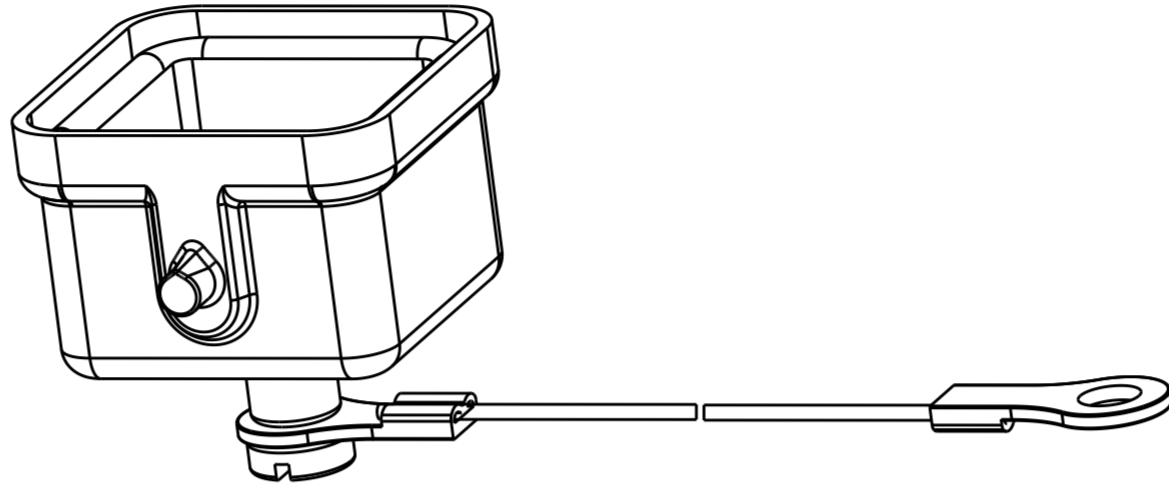
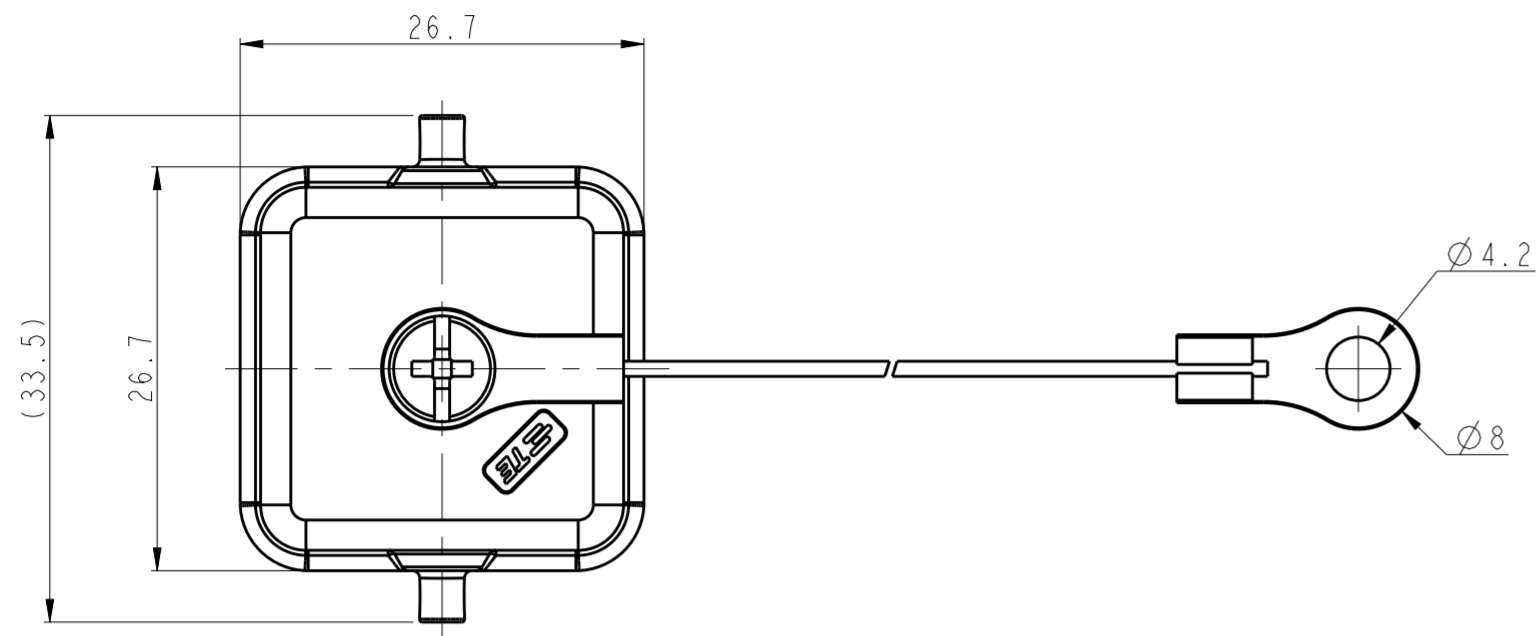


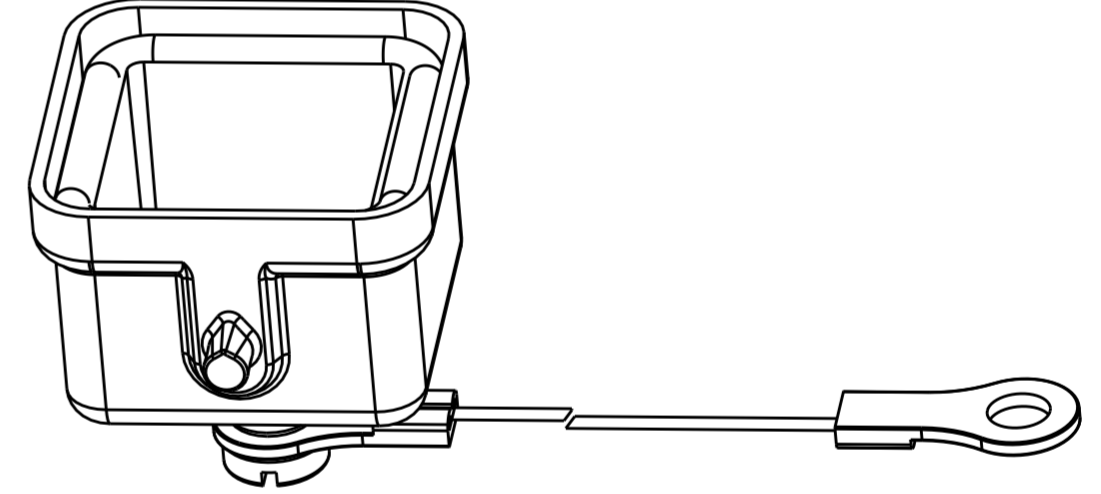
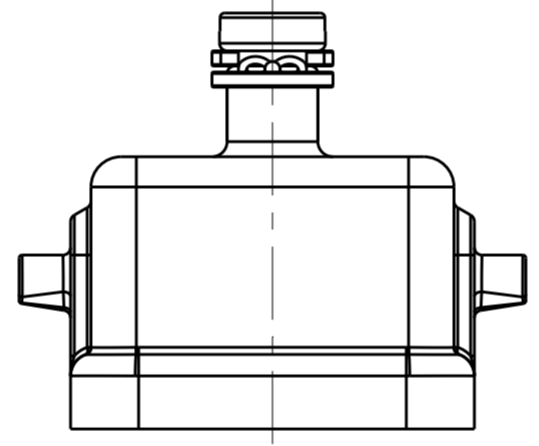
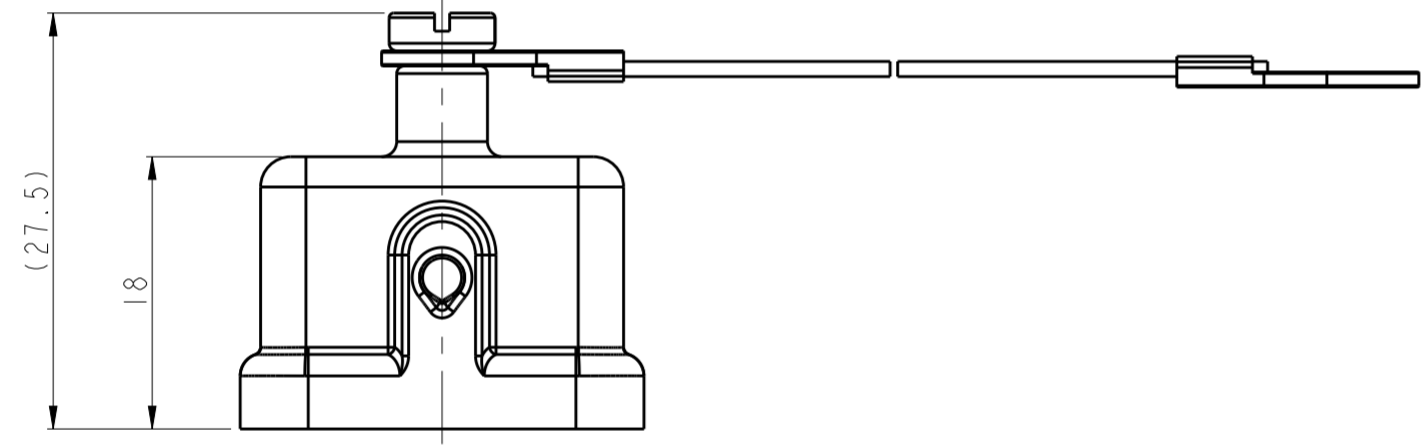
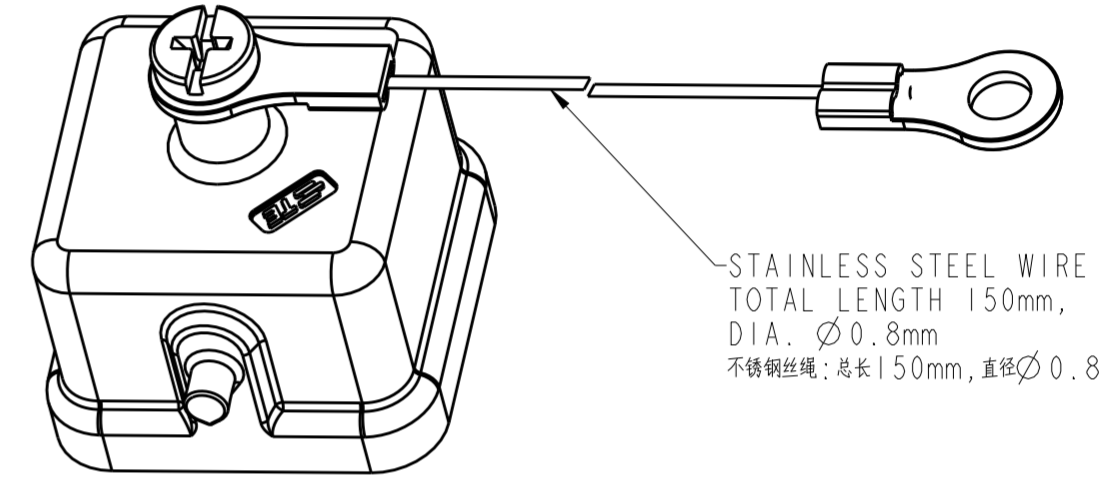
THIS DRAWING IS UNPUBLISHED. RELEASED FOR PUBLICATION
 © COPYRIGHT copyright dbTe. ALL RIGHTS RESERVED.

REVISIONS					
P	LTR	DESCRIPTION	DATE	DWN	APVD
	A	INITIAL	10JUL2017	CH	CW

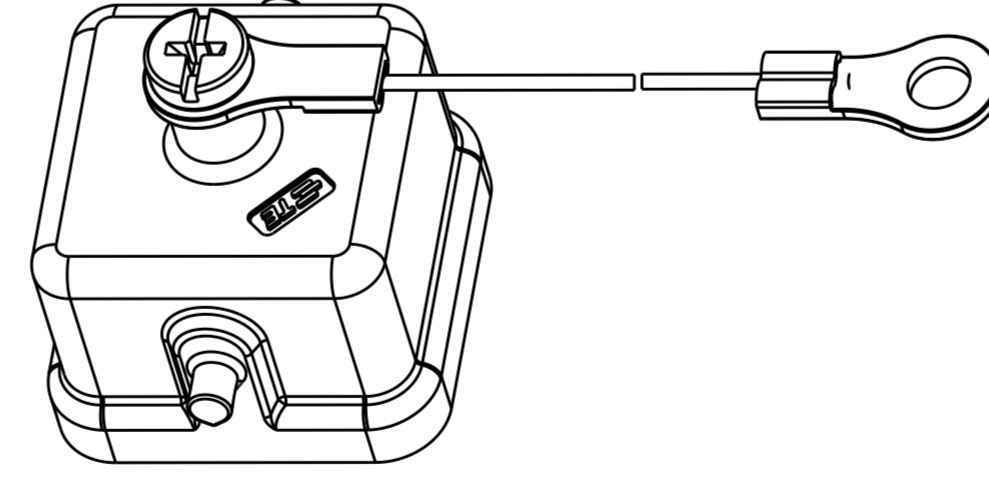
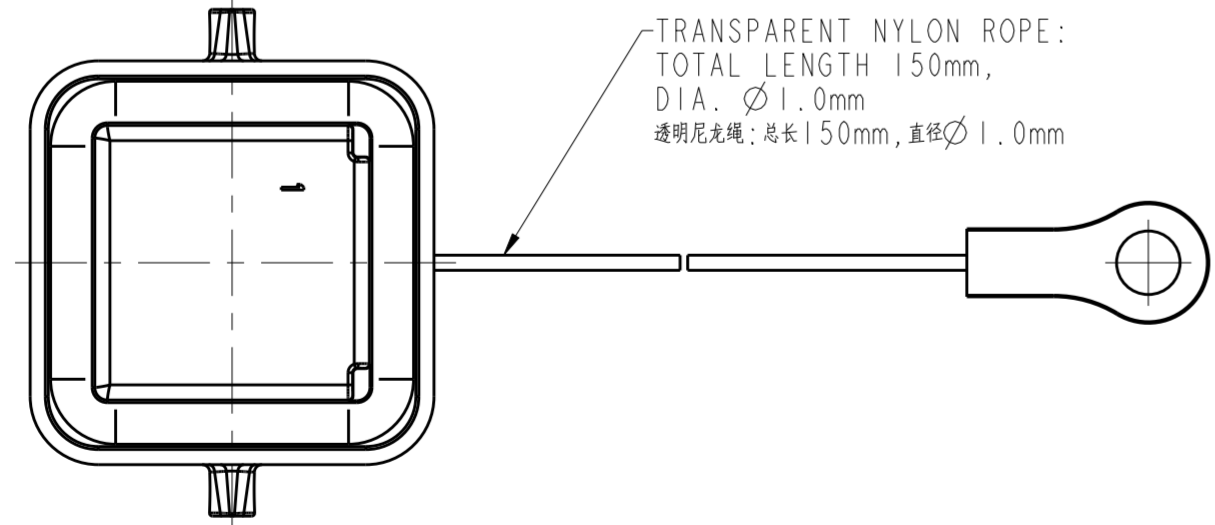


NOTES:
 1. TECHNICAL CHARACTERISTICS:
 COVER MATERIAL: ZINC ALLOY
 COVER SURFACE: POWDER COATED, GREY

注释:
 1. 技术参数:
 保护盖材质: 锌合金
 保护盖表面处理: 灰色粉末喷涂



TRANSPARENT NYLON ROPE:
 TOTAL LENGTH 150mm,
 DIA. Ø1.0mm
 透明尼龙绳: 总长150mm, 直径Ø1.0mm



TYPE 2: H3A HOUSING METAL PROTECTION COVER,
 2 EAR, SEALING, STEEL WIRE ROPE, GREY
 THIS TYPE IS SAME AS TYPE 1, ONLY DIFFERENT ROPE.
 类型2: H3A下壳金属保护盖, 2耳, 带密封, 钢丝绳, 灰色
 此类型同类型1一样, 只是绳子不一样.

TYPE 1: H3A HOUSING METAL PROTECTION COVER,
 2 EAR, SEALING, NYLON ROPE, GREY
 类型1: H3A下壳金属保护盖, 2耳, 带密封, 尼龙绳, 灰色

T1010033101-000	H3A-KDBM-SS	H3A HOUSING METAL PROTECTION COVER, 2 EAR, SEALING, STEEL WIRE ROPE, GREY H3A下壳金属保护盖, 2耳, 带密封, 钢丝绳, 灰色	TYPE 2 类型2
T1010033100-000	H3A-KDBM	H3A HOUSING METAL PROTECTION COVER, 2 EAR, SEALING, NYLON ROPE, GREY H3A下壳金属保护盖, 2耳, 带密封, 尼龙绳, 灰色	TYPE 1 类型1
PART NUMBER 料号	PART DESCRIPTION 描述	TYPE 类型	

DIMENSIONS:		TOLERANCES UNLESS OTHERWISE SPECIFIED:		THIS DRAWING IS A CONTROLLED DOCUMENT.		DWN		CHK		APVD		NAME	
mm		0 PLC	±	10JUL2017	CHARLIE HU	10JUL2017	GINO YAO	TE Connectivity					
		1 PLC	±					H3A-KDBM/-SS					
		2 PLC	±					SIZE CAGE CODE DRAWING NO RESTRICTED TO					
		3 PLC	±					A2 - C-T101003310X000					
		4 PLC	±					SCALE 2:1 SHEET OF REV A					
		ANGLES	±					CUSTOMER DRAWING					
		FINISH	-										