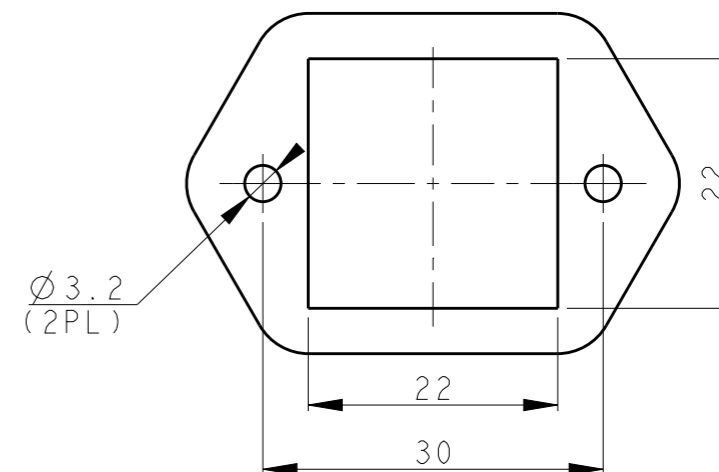
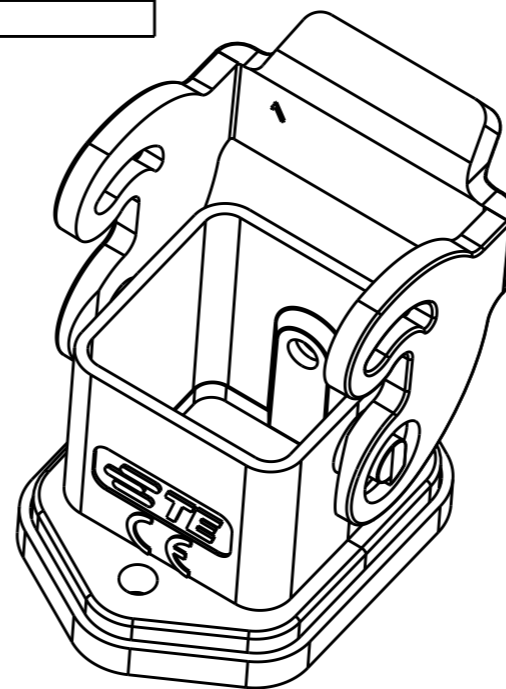
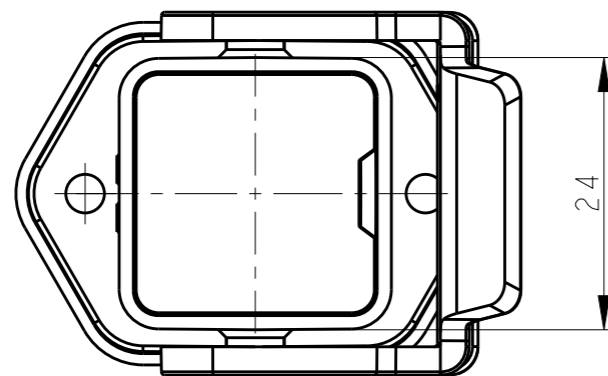


REVISIONS

| P | LTR | DESCRIPTION | DATE | DWN | APVD |
|---|-----|-----------------|-----------|-----|------|
| A | | INITIAL RELEASE | 22APR2015 | DL | CW |
| B | | ECR-18-017120 | 27MAR2019 | BS | CW |
| C | | ECR-20-006618 | 10JUN2020 | CD | CW |
| D | | ECR-20-008412 | 26NOV2020 | BS | CW |



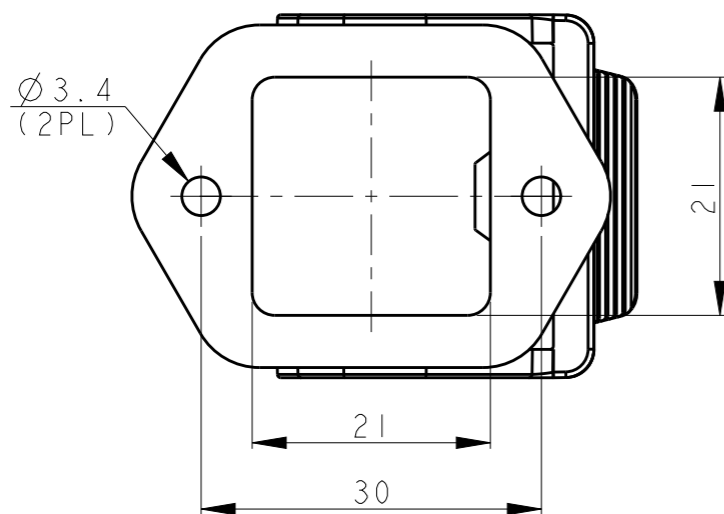
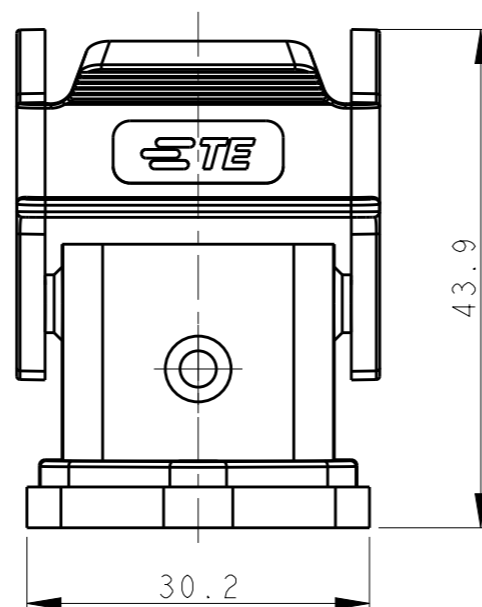
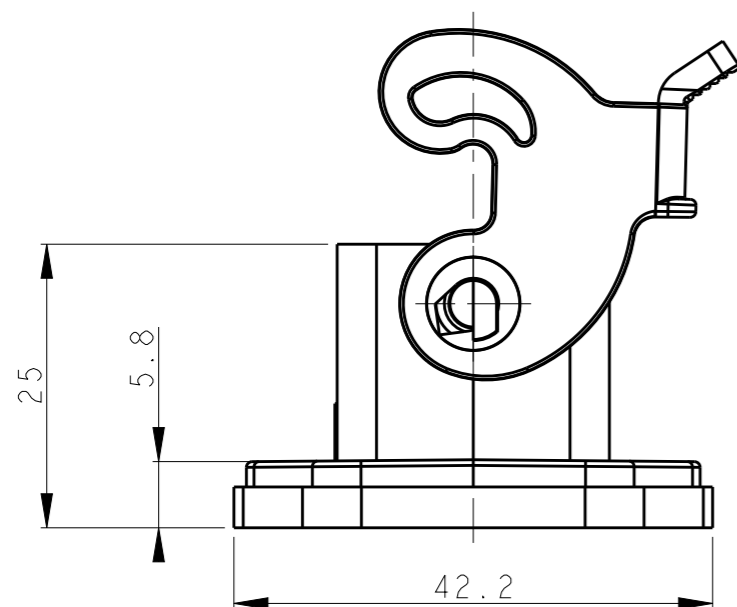
PANNEL CUT OUT

NOTES:


- 1. TECHNICAL CHARACTERISTICS:
BODY MATERIAL: PC
DEGREE OF PROTECTION: IP65 (MATED)

注释:

- 1. 技术参数:
主体材料: PC
防护等级: IP65(配合)



| | | |
|-------------------|------------------------|---|
| T1509031100-000 | H3A-AG | H3A PLASTIC HOUSING, BULKHEAD MOUNTED, PLASTIC SINGLE LOCKING, GREY H3A 塑料下壳, 开孔安装, 塑料单扣, 灰色 |
| PART NUMBER 料号 | PART DESCRIPTION 描述 | |

| | | | | | | |
|---|--------|--------------------------------|---|-----------------|--------------------------------|--------------------|
| THIS DRAWING IS A CONTROLLED DOCUMENT. | | DWN 22APR2015 DAVID LI |  TE Connectivity NAME H3A-AG | | | |
| DIMENSIONS: mm | | CHK 22APR2015 CHRIS WANG | | | | |
| TOLERANCES UNLESS OTHERWISE SPECIFIED: | | APVD 22APR2015 XU XIANG | | | | |
| 0 PLC ±- 1 PLC ±- 2 PLC ±- 3 PLC ±- 4 PLC ±- ANGLES ±- | | PRODUCT SPEC 108-137134 | | | | |
| MATERIAL | FINISH | APPLICATION SPEC 114-137134 | SIZE A3 | CAGE CODE - | DRAWING NO C-T1509031100000 | RESTRICTED TO - |
| CUSTOMER DRAWING | | | SCALE 3:2 | SHEET 1 OF 1 | REV D | |